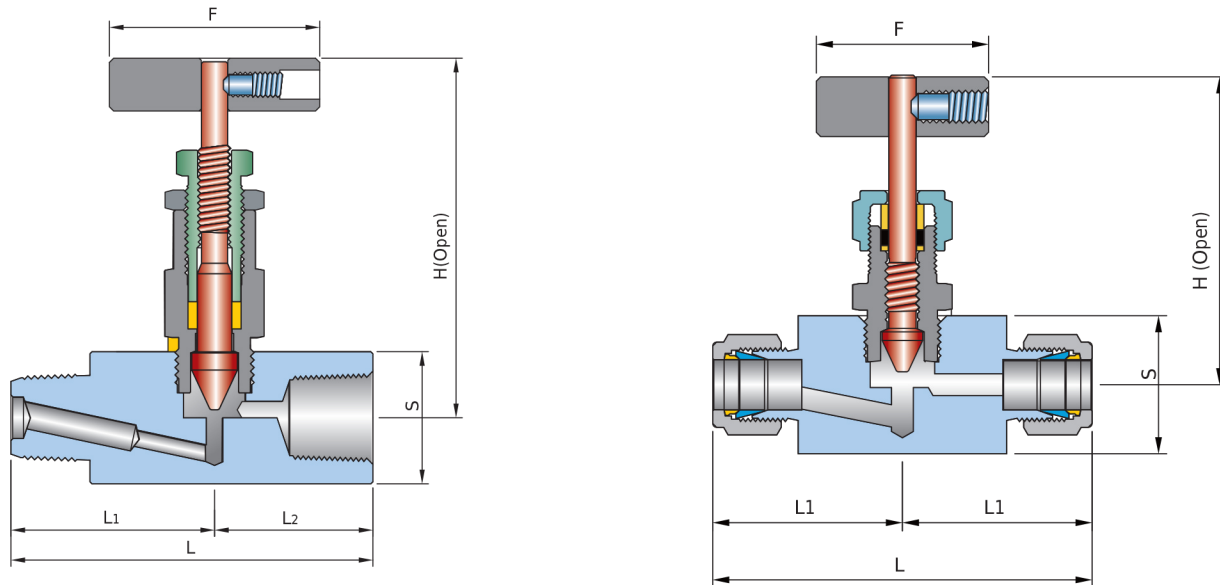


## VN6 series



### Ordering Information & Dimensions

Part Number	End Connection		Orifice	CV	Dimensions (mm)					
	Inlet	Outlet			L	L1	S	F	H	
VN61	U-04T-	1/4" Kor-Lok		4.0	0.35	76.2	38.1	25.0	31.7	56.7
	U-06T-	3/8" Kor-Lok								
	U-08T-	1/2" Kor-Lok								
	U-M06T-	6mm Kor-Lok								
	U-M08T-	8mm Kor-Lok								
	U-M10T-	10mm Kor-Lok								
	U-M12T-	12mm Kor-Lok								
VN62	F-04N-	1/4" Female NPT		4.0	0.35	76.2	38.1	25.0	50.6	86.5
	F-06N-	3/8" Female NPT								
	F-08N-	1/2" Female NPT								
	MF-04N-	1/4" Male NPT	1/4" Female NPT							
	MF-06N-	3/8" Male NPT	3/8" Female NPT							
	MF-08N-	1/2" Male NPT	1/2" Female NPT							

ISO7/1 Tapered Threads (PT) are available for all fractional sizes of VN6 series valves. Add "R" as a suffix instead of "N".

Dimensions are for reference only and are subject to change without prior notice.



**A QUALITY PRODUCT AT A GREAT PRICE**

15060 West Dr., Suite #100  
 Houston, Texas 77053  
 Office Telephone # (281) 437-8400  
 Fax # (281) 437-8437  
 Website: [www.korlokusa.com](http://www.korlokusa.com)